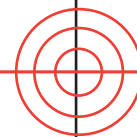
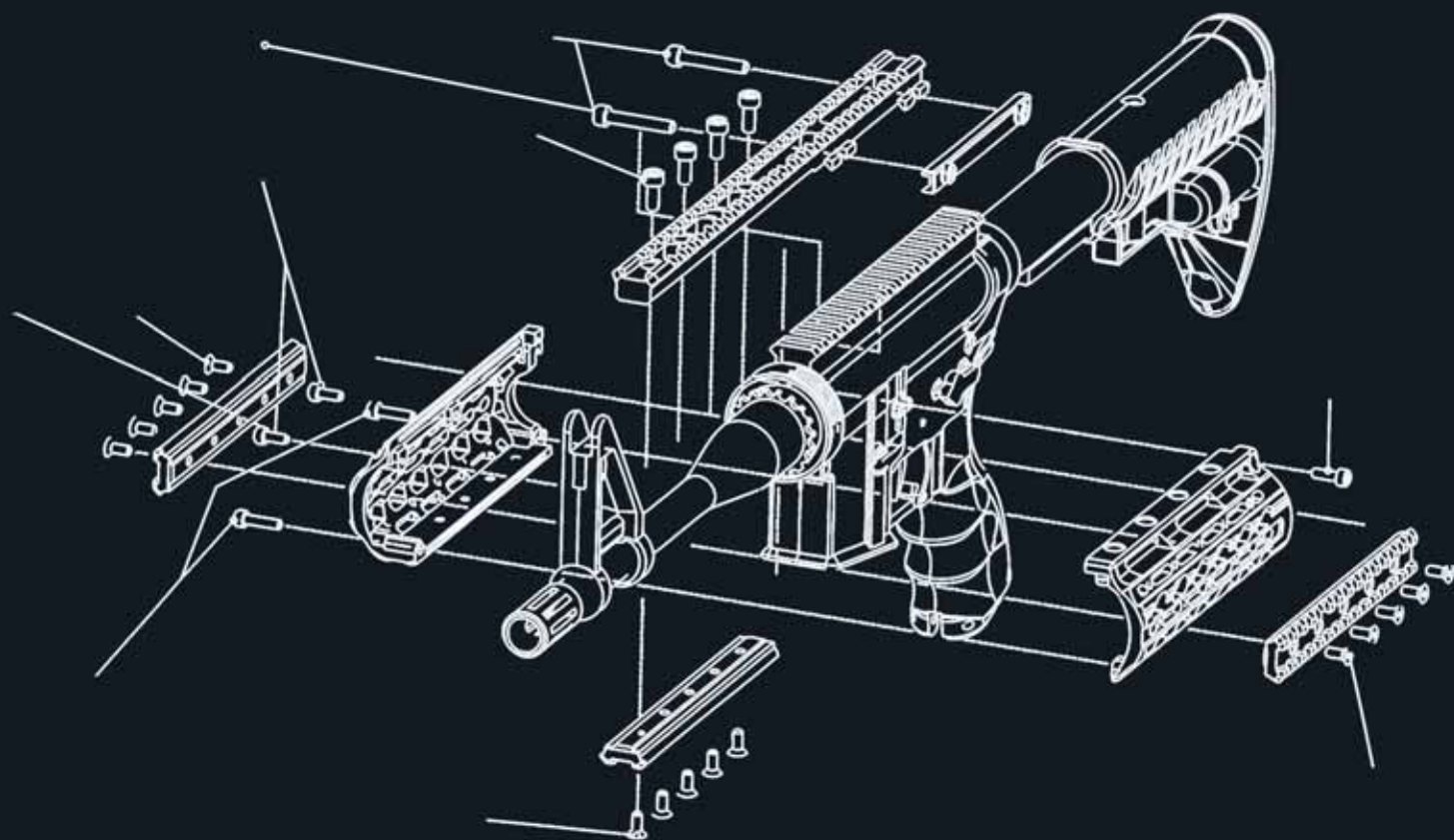


# FAB DEFENSE

CATALOG 2009 - 2010



**PISTOL GRIPS** ..... Pages 2 - 3

**RAIL SYSTEMS** ..... Pages 4 - 10

**FOREGRIPS** ..... Pages 10 - 12

**FLASHLIGHTS & MOUNTS** ..... Pages 13 - 15

**BUTTSTOCKS** ..... Pages 16 - 18

**MAGAZINE ACCESSORIES** ..... Pages 19 - 20

**SPECIAL ITEMS** ..... Pages 21 - 22

**PARTS & UPGRADES** ..... Pages 22 - 24

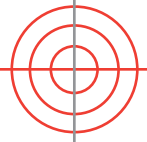
**SAFETY PRODUCTS** ..... Page 24

**TARGET SYSTEMS** ..... Page 25

Second Edition, September 2009

Design & Production: Kav Nekuda Advertising





### AG-43

#### Tactical Ergonomic Grip for M16 /M4 /AR15



### AGF-43

#### Tactical Folding Pistol Grip for M16 /M4 /AR15

⬠ For Limited Spaces & Concealed Carry: Folding Feature Reduces Overall Weapon Size



- ⬠ State-of-the-art Ergonomic Design
- ⬠ Durable & Hardwearing Construction
- ⬠ Built-in Storage Compartment
- ⬠ Improves Finger-to-trigger Contact
- ⬠ Available In Different Camouflage Colors: Black, Desert Tan, Olive Drab Green, And Alpine White;
- ⬠ Available In Different Training Colors: Red And Blue

### AG-47

#### AK-47 / Galil Pistol Grip



### AG-58

#### SA. VZ. 58 Pistol Grip



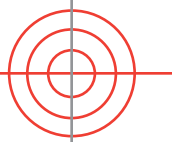
- ⬠ Advanced Ergonomic Design
- ⬠ Tough Design & Material
- ⬠ Built-in Storage Compartment
- ⬠ Improves Finger To Trigger Correspondence
- ⬠ Unique Texture To Prevent Slipping



### SG-1

#### AK-47 / Galil Sniper Pistol Grip

- ⬠ Replace Standard Pistol Grip To Provide Greater Comfort & Control
- ⬠ Advanced Ergonomic Design
- ⬠ Adjustable Palm Swell Style Grip
- ⬠ Adapts Easily To Different Hand Size
- ⬠ Puts Pressure In The Palm Of The Hand To Allow Deliberate And Calculated Trigger Pull
- ⬠ Tough Design & Material
- ⬠ Available In Different Camouflage Colors



## G-1911

### Grip 1911

- ✦ Fits most 1911 and clones.
- ✦ Easy installation - no gunsmithing required.
- ✦ Textured grips for maximum non-slip control.
- ✦ Light weight - constructed of reinforced polymer composite



## WG-1911

### Mag. Well Grip 1911

- ✦ Fits most 1911 and clones.
- ✦ Easy installation - no gunsmithing required.
- ✦ Textured grips for maximum non-slip control.
- ✦ Provides a mag-well funnel for easier & smoother reloading.
- ✦ Light weight - constructed of reinforced polymer composite



## AGR-870

### Remington 870 Pistol Grip



## AGM-500

### Mossberg 500 Pistol Grip



- ✦ Rock solid one piece ergonomic design
- ✦ Non slip special texturing
- ✦ Made from composite materials
- ✦ Natural Fighting stance hold on your shotgun - Slightly angled to counter recoil
- ✦ Improved performance in reaction, on target time and muzzle control during fire
- ✦ No gunsmith is required
- ✦ Has storage compartment for batteries, cleaning kit

Optional:

- ✦ Allows attaching M4 style and compatible buffer tube hence allowing any M4 style stock to be installed
- ✦ Allows attaching our new "UAS" tactical butt stock with or without our new folding knuckle (right or left handed configuration)
- ✦ Allows attaching our patented recoil reducing buffer tube



# RAIL SYSTEMS

RAIL SYSTEMS



## UPR 16/4

### Universal Picatinny Rail for M16 /M4 /AR15

- ✦ Fits All M16/M4/Ar15 Hand Guards
- ✦ Mil Std 1913
- ✦ Compensates The Hand Guards' Angle To Allow Parallel To Barrel Positioning
- ✦ Durable Reinforced Polymer



## DPR 16/4

### Double Picatinny Rail

- ✦ Fits All M16/M4/Ar15 Standard Handguards
- ✦ Two Short Picatinny Rails, Each 45 Degrees Off Of Center
- ✦ Can Be Positioned On Upper Or Lower Segment Of Handguard
- ✦ Gives Excellent Positioning For Operating Flash Lights Or Lasers
- ✦ Enables The Mounting Of A Foregrip At 4:30- Or 7:30-O'clock For Optimal Ergonomic Hand Positioning
- ✦ Shortness Of Rails Allow Most Of The Handguard To Remain Unobstructed By Accessory Attachments
- ✦ Built From Lightweight, Heavy-duty, Reinforced Polymer



## FGR

### M4 Polymer 3 Rail Handguard

- ✦ Enables Three Picatinny Rails
- ✦ Mount Picatinny Based Accessories On Your M4
- ✦ Allows Regular Grip Even With A Mounted Foregrip
- ✦ State Of The Art Ergonomic Design
- ✦ Durable, Hardwearing & Lightweight Construction
- ✦ Quick & Easy Installation
- ✦ No Gunsmithing Required
- ✦ Improves Thermal Insulation
- ✦ Constructed From Reinforced Polymer Composite



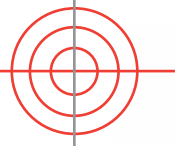
## NFR

### M4 Aluminum Quad Rail

- ✦ Carbine Length 5.56 Cal. Precision Machined From 6061 T6 Billet Aluminum For Maximum Strength
- ✦ Four Mil-spec Picatinny Rails For Versatile Accessory Applications
- ✦ No Gunsmith Required
- ✦ Simple Installation ,Replaces The Polymer Hand Guards And Secured By 4 Bolts To Firmly Locks On The Barrel Nut And Front Handguard Cap
- ✦ Tested Under Extreme Conditions To Perform Zero-retention
- ✦ Hard Anodized Coating For Wear Resistance
- ✦ Align Perfectly With The M4 Upper Receiver Rail
- ✦ Narrow And Slim Size For Better Grip And Handling Of The Firearm
- ✦ Very Rugged Structure, Will Not Bend Or Deform Under Any Condition
- ✦ Perfect Alignment With The Receiver Is Accomplished With Tree Anti-rotation Locking Tabs



RAIL SYSTEMS



## VFR Ar15 / M16 Rail System

- Free Floating Barrel Design To Achieve Maximum Accuracy Potential
- Made From 6061 T6 Aluminum, All Rails 1913 Mil Spec, Hard Coat Anodized
- This New Design Allows The User To Modify The System To His Best Battle Stance
- Optimization Can Be Achieved Because The Rails Are Not An Integral Part Of The System. Rails Are Bolted In The Foregrip And Seated In Specially Designed Cone Shaped Recesses, Allowing Them To Be Fitted At Any Or All Of Seven Positions Around The Foregrip, Spaced 45 Degrees Apart.
- There Is No Need To Connect All Four Rails But Just The Ones That Are Needed On The Desired Side And Selected Angle, Making It Slimmer And More Comfortable To Hold.
- While Secured, The Rails Are "Rock Solid", Due To The Special Mounting Design
- The System Is Two Pieces Of Lightweight Forearm That Are Locked Against Each Other And Clamp The Barrel Nut. This Style Of Assembly Is Best For Bipods, Grips, And Flashlights, Etc. Heavy Optics And Aiming Sights Require An Upper Rail To Be Mounted, Which Attaches The Forearm To The Upper Receiver And Provides Two Locking Points, Barrel Nut And Upper Receiver.
- Easy To Mount, Requiring No Gunsmith



3 Disintegrable Rails  
7 Potential Positions For Reassembling the rails



## VFR-AK AK Aluminum Rail System

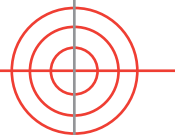
- Precision machined from 6061 T6 billet Aluminum for maximum strength
- Four mil-spec Picatinny rails for versatile accessory applications
- No gunsmith required
- Simple installation, replaces the original hand guards and bolted on the rifle
- Tested under extreme conditions to perform zero-retention
- Hard anodized coating for wear resistance
- Narrow and slim size for better grip and handling of the firearm
- Very rugged structure most rigid platform available today for AK
- Perfect alignment with the receiver
- Solid piece upper rail stretches from the gas tube until the end of the receiver to accommodate scopes, night vision and reflection sights while allowing correct eye to scope distance
- Unique design allow the original steel sights to be accessible if optic sights are not mounted



## VFR-RPK RPK Aluminum Rail System

- RPK replacement hand guards rail system
- System adds four mil-spec Picatinny rails for versatile accessory applications
- Precision machined from 6061 T6 billet Aluminum for Maximum strength
- Fully rugged construction will not bend or deform under any condition
- Field tested under extreme conditions for maximum performance and durability
- Hard coat anodized for optimum wear resistance
- Simple installation, replace your hand guards and secured by 4 bolts
- No gunsmith required
- System aligns perfectly
- Slim profile for better grip and handling of the firearm
- The best solution for mounting sights and lasers





### AK-47

#### AKM 47/74 Tactical Hand Guards with 4 rails

- ✦ Enables Four Picatinny Rails
- ✦ Secure Enough For Optical Sights And Lasers
- ✦ State Of The Art Ergonomic Design
- ✦ Durable, Hardwearing & Lightweight Construction
- ✦ Quick & Easy Installation
- ✦ No Gun Smiting Required
- ✦ Improves Thermal Insulation
- ✦ Constructed From Reinforced Polymer Composite



### SA-58

#### SA-VZ 58 Tactical Hand Guards with 4 rails

- ✦ Enables Four Picatinny Rails
- ✦ Secure Enough For Optical Sights And Lasers
- ✦ State Of The Art Ergonomic Design
- ✦ Durable, Hardwearing & Lightweight Construction
- ✦ Quick & Easy Installation
- ✦ No Gun Smiting Required
- ✦ Improves Thermal Insulation
- ✦ Constructed From Reinforced Polymer Composite



### PR-870

#### Remington 870 Handguard and Compatible models

- ✦ Enables Three Picatinny Rails
- ✦ Mount Picatinny Based Accessories On Your Shotgun
- ✦ State Of The Art Ergonomic Design
- ✦ Durable, Hardwearing & Lightweight Construction
- ✦ Quick & Easy Installation
- ✦ No Gun Smiting Required
- ✦ Improves Thermal Insulation



### PR-MO

#### Mossberg 500 Handguard and Compatible models

- ✦ Enables Three Picatinny Rails
- ✦ Mount Picatinny Based Accessories On Your Shotgun
- ✦ State Of The Art Ergonomic Design
- ✦ Durable, Hardwearing & Lightweight Construction
- ✦ Quick & Easy Installation
- ✦ No Gun Smiting Required
- ✦ Improves Thermal Insulation

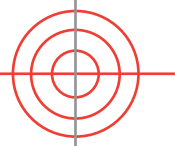


### BM-4

#### Benelli M4 Polymer 4 Rail System

- ✦ Enables Four Picatinny Rails
- ✦ Secure Enough For Optical Sights And Lasers
- ✦ State Of The Art Ergonomic Design
- ✦ Durable, Hardwearing & Lightweight Construction
- ✦ Quick & Easy Installation
- ✦ No Gun Smiting Required
- ✦ Improves Thermal Insulation
- ✦ Constructed From Reinforced Polymer Composite





## MP5-RS

### Aluminum Hand Guards with 3 rails for H&K MP5



## G3-RS

### Aluminum Hand Guards with 3 rails for H&K G3



- ✦ Enables Four Picatinny Rails
- ✦ Secure Enough For Optical Sights And Lasers
- ✦ State Of The Art Ergonomic Design
- ✦ Durable, Hardwearing & Lightweight Construction
- ✦ Quick & Easy Installation
- ✦ No Gun Smiting Required
- ✦ Improves Thermal Insulation
- ✦ Constructed From Reinforced Polymer Composite

## UTR

### Uzi Tri-Rail System

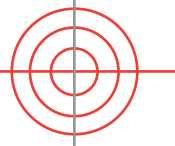


## UTR-M

### Mini Uzi Tri-Rail System



- ✦ Replaces The Original Hand Guard And Gives The Option To Mount Laser Pointers, Grips, Bipods, Flashlight Or Any Other Picatinny Rail Based Accessories
- ✦ Made From 6061 T6 Aircraft Aluminum
- ✦ All Rails 1913 Mil Spec
- ✦ Hard Coat Anodized
- ✦ Special Design One Solid Item With Two Locking Bolts.
- ✦ Lightweight And Strong
- ✦ Easy To Mount, Require No Gunsmith
- ✦ Gun Handling Will Remain Regular
- ✦ Will Not Move Or Vibrate On The Gun At Any Conditions



### VFR-GA Galil Aluminum Rail System



### GX-6 Micro Galil Rail System



- ⚙ Solid & Stable
- ⚙ Long Upper Rail, Underside Rail, Side Rails
- ⚙ Twin Short-rails On Either Side Of Front Sight
- ⚙ Conforms To Mil-std 1913
- ⚙ No Modification Or Gunsmithing Required
- ⚙ Precision Machined From Solid Block Of Aviation-grade Aluminum
- ⚙ Comes With Rail Covers To Protect Grip And Provide Thermal Insulation
- ⚙ Available In Different Camouflage Colors



### BSR-1 Barrel Single Rail For M16/M4/AR15

- ⚙ Provides One Rail For Mounting Tactical Laser Or Light Devices



BSRS



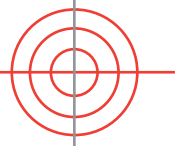
### BDR-2 Barrel Double Rail For M16/M4/AR15

- ⚙ Provides Two Rails For Mounting Tactical Laser&Light Devices
- ⚙ Tight Fit Of Adaptor Ensures The Stability And Accuracy Of All Laser & Optical Devices
- ⚙ Installation: Up & Down Or Side By Side Condition
- ⚙ Precision Machined From Aviation-grade Anodized Aluminum Stock
- ⚙ Durable, Lightweight Construction
- ⚙ Easy To Fit And Dismantle
- ⚙ Secured By Hex ("Allen" Type) Bolts
- ⚙ No Modification Or Gunsmithing Required



BDRS





### TPM Trijicon Picatinny Mount

- ⦿ Low Profile Mounting Platform
- ⦿ Secured By Steel Locking Full Length Solid Feet And Two Steel Levers
- ⦿ Designed With A Acog Channel
- ⦿ Fits All Mil-std1913 Picatinny Dove Tail Rails.
- ⦿ Fits Non Standard Picatinny Rails By A Self-locking Aircraft Nuts Adjustment Of The Locking Feet
- ⦿ Quick Mounting And Dismounting That Repeats Zero Alignment
- ⦿ Base Milled From 6061 T6 Air Craft Aluminum, Feet And Levelers Are Milled From 4130 Carbon Steel
- ⦿ No Gunsmith Required



### SBS Dual Picatinny Mount

- ⦿ Provides Two Picatinny Rails For Mounting Tactical Laser&Light Devices
- ⦿ Tight Fit Of Adaptor Ensures The Stability And Accuracy Of All Laser & Optical Devices
- ⦿ Precisionmachined From Aviation-grade Anodized Aluminum Stock
- ⦿ Durable, Lightweight Construction
- ⦿ Easy To Fit And Dismantle
- ⦿ Secured By Hex ("Allen" Type) Bolts  
No Modification Or Gunsmithing Required



### VFR-VZ VZ Aluminum Rail System

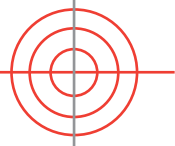
- ⦿ Precision machined from 6061 T6 billet Aluminum for maximum strength
- ⦿ Four mil-spec Picatinny rails for versatile accessory applications
- ⦿ No gunsmith required
- ⦿ Simple installation, replaces the polymer hand guards and secured by 4 bolts to Firmly locks on the rifle
- ⦿ Tested under extreme conditions to perform zero-retention
- ⦿ Hard anodized coating for wear resistance
- ⦿ Narrow and slim size for better grip and handling of the firearm
- ⦿ Very rugged structure will not bend or deform under any condition
- ⦿ Perfect alignment with the receiver



### VFR-MAG FN MAG Aluminum Rail System

- ⦿ Replaces the original hand guard and gives the option to mount laser pointers, grips, bipods, flashlight or any other picatinny rail based accessories.
- ⦿ Made from 6061 T6 aircraft Aluminum
- ⦿ All rails 1913 mil spec
- ⦿ Hard coat anodized
- ⦿ Lightweight and strong
- ⦿ Easy to mount, require no gunsmith
- ⦿ Gun handling will remain regular
- ⦿ Will not move or vibrate on the gun at any conditions





## MJPR

### Metal Jericho Picatinny Rail

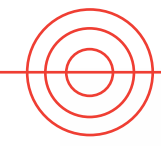
- ⦿ Allowing Rail Based Flash Lights & Accessories Such As M3/M6 To Be Mounted.
- ⦿ Allows Rear Rocker Switch To Be Activated By The Fire Control Finger Or The Thumb Of The Off Hand.
- ⦿ Three Piece Lightweight Aluminum That Easily Clamps Over The Existing Jericho Trigger Guard.
- ⦿ The Installation Only Requires A Small Wrench, Included In The Package.
- ⦿ The Rail Fits Tight Enough To Retain Zero Of The M6 Laser.
- ⦿ Machined From Billet 6061 T6 Aluminum Alloy.
- ⦿ Hard Coat Anodized Matte Black Per Mil-spec.



## GIS

### Glock Scope Mount

- ⦿ Designed For All Glock Pistols Front Accessory Rail Regardless Of Size Or Caliber.
- ⦿ Lightweight, Strong Polymer Construction. Allows Use Of Iron Sights, Easy Installation Replaces Trigger Pin And Locks To Rail.
- ⦿ Gives Fast Sight Alignment, Improves Balance And Recoil Control.



## FOREGRIPS



## AG-44S

### Vertical Grip for M16 /M4 /AR15

- ⦿ Canted To Reduce Kick
- ⦿ The Vertical Grip Is Intended To Serve As An Added Comfort, Accuracy-performance-enhancing Accessory For Any Firearm Fitted With A Standard (Underside) Picatinny Rail.
- ⦿ User Installed.No Modification Or Gunsmithing Required
- ⦿ Available In Different Camouflage Colors: Black, Desert Tan, Olive Drab Green, Alpine White; And In Training Colors: Red And Blue

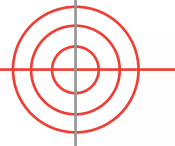


## TAL 4

### Firearm Tactical Vertical Grip for picatinny mounting rail

- ⦿ No Slip / No Sweat Design
- ⦿ Double Side Pressure Switch Housing
- ⦿ Internal Waterproof Battery Compartment
- ⦿ Integrated Compression Spring Eliminates Battery "Rattle" On The Move
- ⦿ Quick Release Mechanism Or A Secure Bolt Locking System
- ⦿ Performance-enhancing Accessory For Any Firearm Fitted With A Standard (Underside) Picatinny Rail
- ⦿ Durable, Hardwearing & Lightweight Polymer Construction
- ⦿ User Installed.No Modification Or Gunsmith Required
- ⦿ Available In Different Camouflage Colors





### T-POD Tactical Foregrip Bipod

- ✦ Transforms From Foregrip To Full Function Bipod With The Push Of A Button
- ✦ Independent Adjustment Of Each Leg In 5 Different Length Setting
- ✦ Legs Are Made Form Aluminum 6061-T6 Hard Coated Anodized Picatinny Rails
- ✦ Unique Double Release Button Design Eliminates Accidental Deployment Of The Bipod
- ✦ Non Slip Grip, Ventilated Design
- ✦ Double Side Pressure Switch Housing
- ✦ Performance-enhancing Accessory For Any Firearm Fitted With A Standard (Underside) Picatinny Rail
- ✦ Durable, Lightweight Polymer Construction
- ✦ User Installed No Modification Or Gunsmithing Required
- ✦ Available In Various Colors
- ✦ Tested To Withstand Up To 250 Pounds/ 115 Kilogram



### T-POD-SL Tactical Foregrip Bipod With Speedlight

- ✦ 100 - 120 Lumen Led Output
- ✦ Momentary Tail Cup Switch

Thumb Activation



### FGG-S Tactical Folding Foregrip

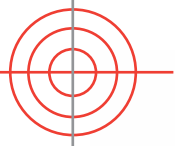
- ✦ Quickly Transforms From A Horizontal Grip To A Vertical Grip
- ✦ Quick Attachment/Removal Mechanism
- ✦ State-of-the-art Ergonomic Design
- ✦ Heavy Duty Polymer Construction
- ✦ Fits All Standard Picatinny Rails
- ✦ Fits Most Handguns With Front Picatinny-type Accessory Rail
- ✦ Specifically Designed So It Will Not Interfere With Handgun Firing When In Horizontal Position
- ✦ Available In Different Camouflage Colors: Black, Desert Tan, Olive Drab Green, Alpine White; And In Training Colors: Red And Blue



### MWG Magazine Well Grip For Ar15/ M16 /M4

- ✦ Transform Your Existing Magwell Onto A Fast Action Magwell And Ergonomic Grip.
- ✦ Mounts Directly Below The Receivers Front Pivot Pin And Over The Existing Magazine Well.
- ✦ Provides A Large Beveled Opening For Super-fast Magazine Changes.
- ✦ No Gunsmithing Or Modifications To The Weapon Needed.
- ✦ Easy Installation – Simply Tighten Into Place Utilizing 3 Set Screws.
- ✦ Light Weight - Constructed Of Reinforced Polymer Composite





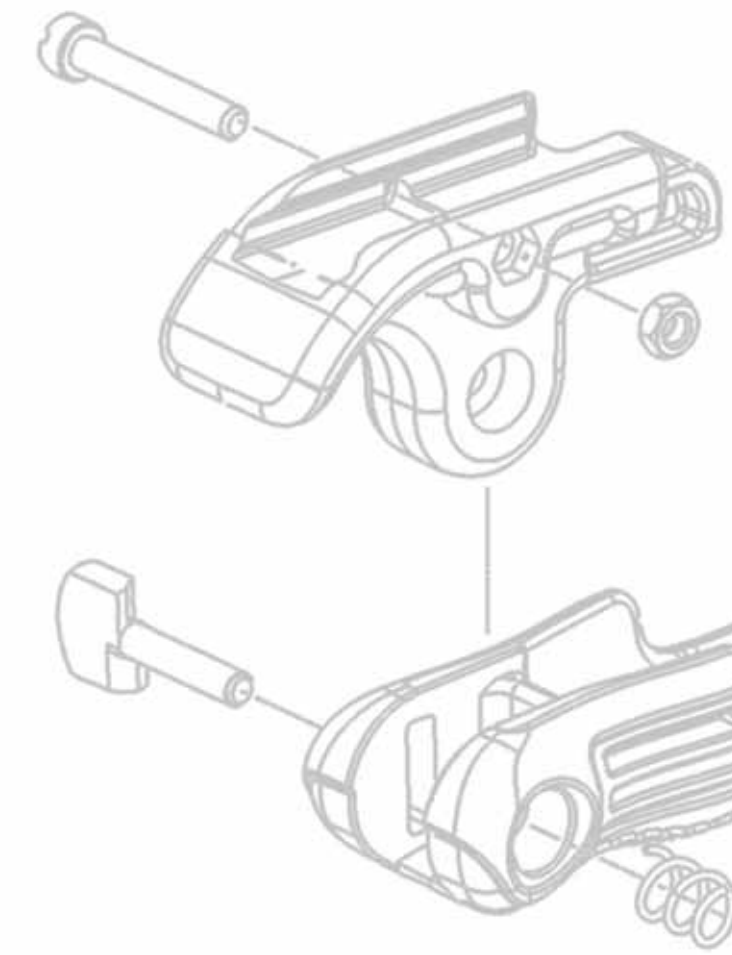
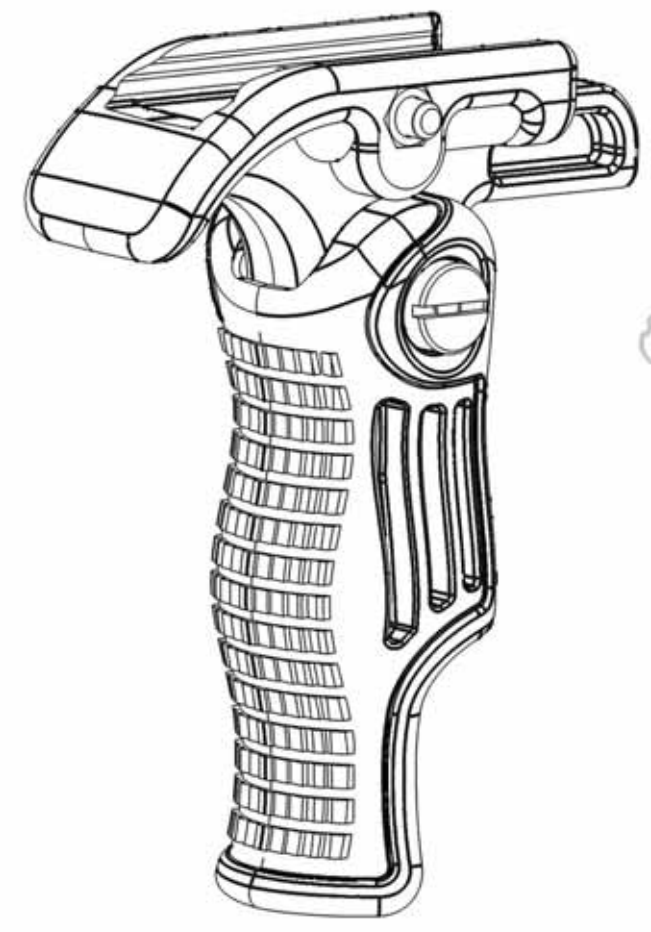
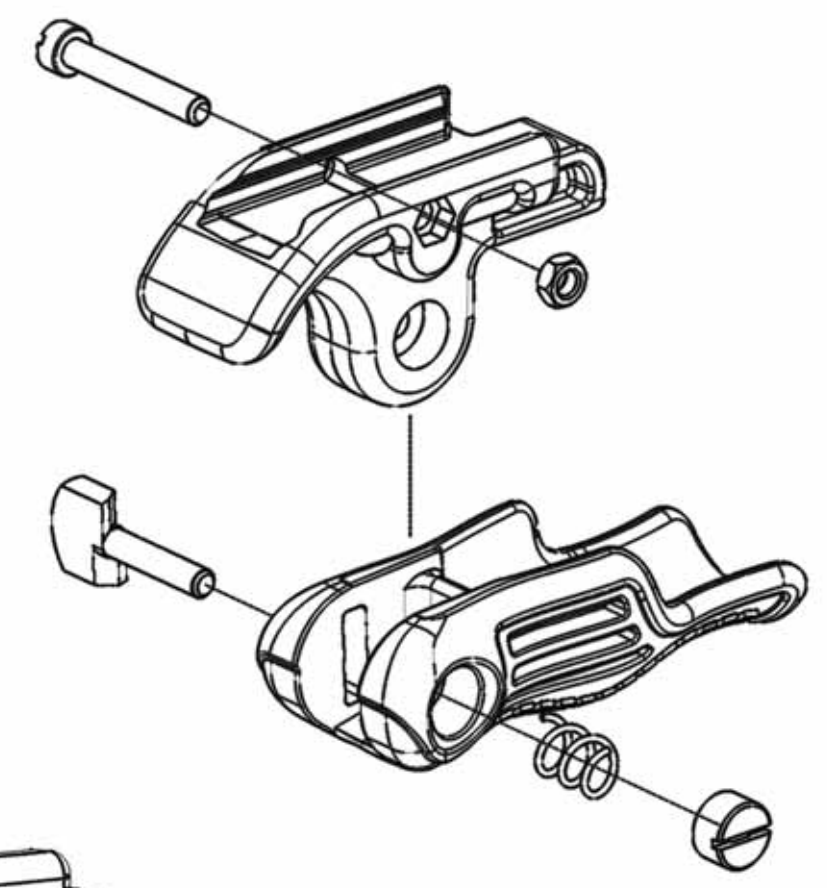
### T-FL Tactical Folding Grip For Picatinny Mounting Rail

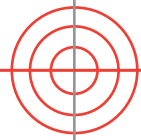
- ◈ 7 Pos. Tactical Folding Foregrip
- ◈ Quickly Transforms From a Horizontal Grip to a Vertical Grip
- ◈ Compact length in vertical position: 4 inches/10 cm
- ◈ Enables 7 different positions of the grip for tactical shooting.
- ◈ Enables slip on and side mounting of the grip on the picatinny rail.
- ◈ State-of-the-art Ergonomic Design.
- ◈ Heavy Duty Polymer Construction
- ◈ Huge storage compartment.
- ◈ Fits All Standard Picatinny Rails
- ◈ No Gunsmithing Is Required
- ◈ Available In Different Camouflage Colors: Black, Desert Tan, and Olive Drab Green.



### FFGS-1" Integrated Folding Foregrip and 1 Inch Flashlight Mount

- ◈ The Grip Transforms from Vertical to Horizontal with a of a Push Button, And Allows You to Choose Your Natural "Fighting Stance"
- ◈ Designed to Hold any 1inch Diameter Flashlight And To Allow Quick And Easy Operation
- ◈ Simple rear thumb activation of the flashlight.
- ◈ Easy to Fit On a Firearm. Secured To the picatinny Rail By 2 Bolts
- ◈ Flashlight Secured In The Mount By A Quick Release Locking System That Allows Quick Mounting Or Removal Of The Flashlight, A Real Advantage For Rechargeable Flashlight
- ◈ No Gunsmithing Is Required
- ◈ Molded From Reinforced Polymer Composite
- ◈ Super Lightweight





# FLASHLIGHTS & MOUNTS

## PLA Flashlight & Laser Adaptor

- ✦ Design To Hold Flashlights Or Laser Devices
- ✦ A Secure Bolt Locking System For The Mounted Device
- ✦ Fits On Picatinny Rails
- ✦ Quick Release Mechanism
- ✦ Tough Rigid & Lightweight Reinforced Polymer Design
- ✦ Special Shape For Easy Turn-on Device
- ✦ Modified To Suit Gun Or Rifle



## PLS Flashlight Side Mount

- ✦ Design To Hold All 1" Flashlights
- ✦ A Secure Bolt Locking System For The Mounted Device
- ✦ Fits On Picatinny Rails
- ✦ New Designed Quick Release Mechanism For Fast Add Or Remove
- ✦ Tough Rigid & Lightweight Reinforced Polymer Design
- ✦ Allows Perfect Use In Conjunction With A Vertical Foregrip
- ✦ Allows The Flashlight To Be Mounted On Either Side Rail For Ambidextrous Use
- ✦ Allows Perfect Access To The Rear Button Of The Flashlight
- ✦ Increases Access To The Flashlight Rear Button When Mounted On Any Rail
- ✦ Perfect For Mounting With A Vertical Foregrip On The Same Lower Rail Achieving Natural Access To The Flashlight Button
- ✦ Easy Installation



## PLG Handgun Flashlight Mount

- ✦ Fits Perfectly On Most Handguns Accessory Rails
- ✦ Design To Hold All 1" Flashlights
- ✦ Secure Bolt Locking System For The Mounted Device
- ✦ New Designed Quick Release Mechanism For Fast Add Or Remove
- ✦ Tough Rigid & Lightweight Reinforced Polymer Design
- ✦ Allows Perfect Access To The Tail Cup Switch
- ✦ Achieving Natural Access To The Flashlight Button
- ✦ Easy Installation



## FBA M4 Bayonet Flashlight & Laser Adaptor



## FBL M4 Flashlight & Laser Adaptor



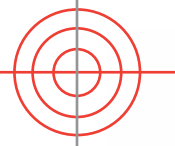
## FBA-UZ Uzi Handgun Flashlight Mount



## FBL-UZ Uzi Handgun Laser Mount



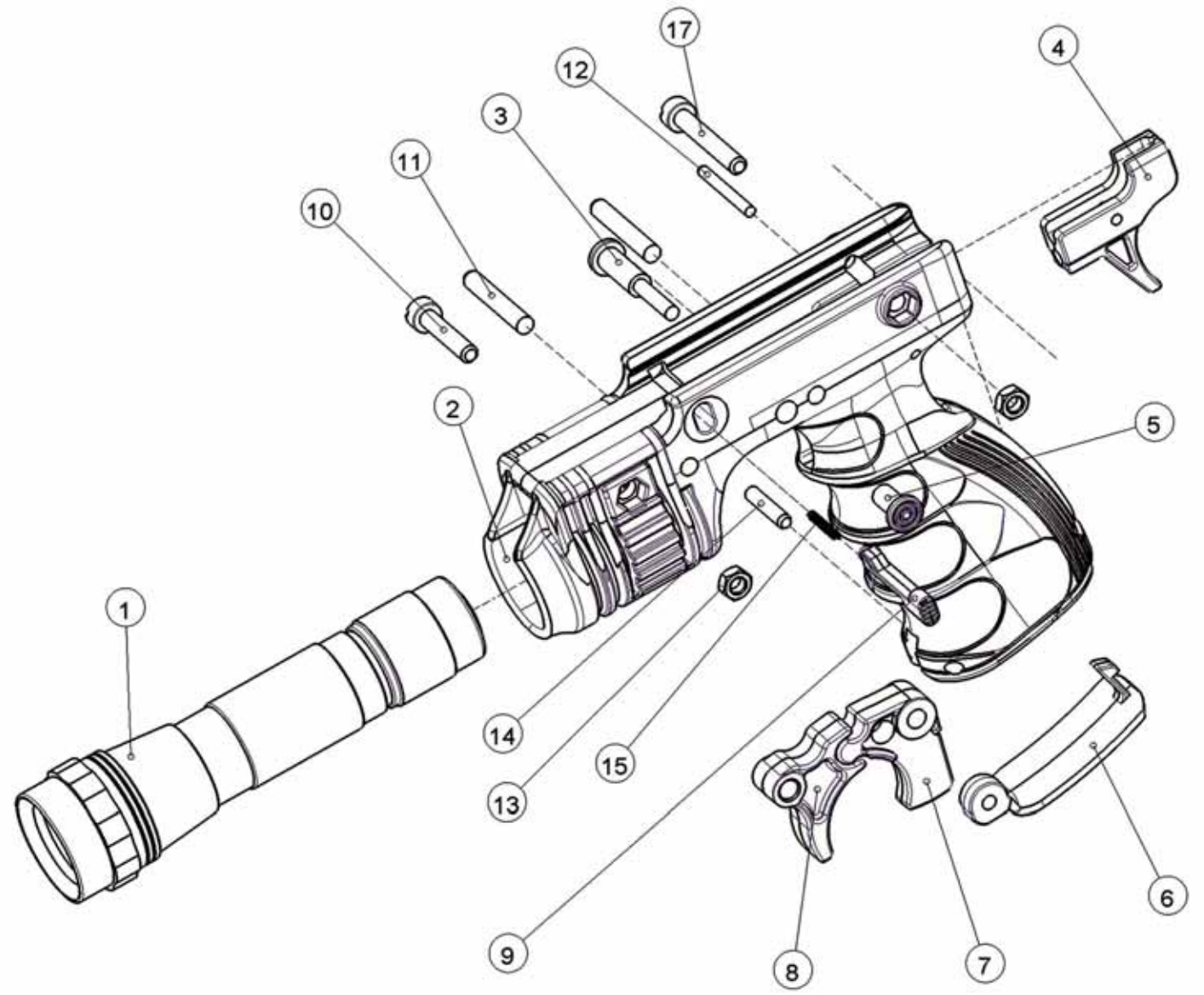
- ✦ Perfect Attachment To The Ar15 / M4 / M16 Bayonet Lug.
- ✦ Design To Hold Flashlights Or Laser Devices.
- ✦ Available In 3/4" And 1" Diameter Sizes.
- ✦ A Secure Bolt Locking System For The Mounted Device.
- ✦ Tight Fit Of Adaptor Ensures The Stability And Accuracy Of All Laser & Optical Devices.
- ✦ Precision Machined From Aviation-grade Anodized Aluminum Stock.
- ✦ Durable, Lightweight Construction.
- ✦ Easy To Fit And Dismantle.
- ✦ Secured By Hex ("Allen" Type) Bolts.
- ✦ No Modification Or Gunsmithing Required.

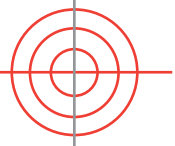


# T-GRIP

## Tactical Vertical Foregrip Weapon Lights Holder

- ⚙ Three In One: Special Handgrip And A Flashlight Mount With A Built In Trigger That Transform Tactical Light Into A Vertical Fore Grip Weapon Lights
- ⚙ This Unique Ergonomic Fore Grip Will Fit Perfectly To Your Hand While Holding In Up To 1" Diameter Tactical Light With Tail Cap Switch And Allow Trigger Activation Of The Light
- ⚙ Ergonomic Designed Grip, Comfortable And Natural To Use "Fighting Stance"
- ⚙ Designed To Hold Any 1" Diameter Flashlight And Allow Quick And Easy Operation
- ⚙ Easy To Fit And Secured By 2 Bolts
- ⚙ Fits Hand Guards Equipped With A Weaver Or Picatinny Rail System
- ⚙ No Gunsmithing Is Required
- ⚙ Molded From Reinforced Polymer Composite





### FFA-T4 Two-position Foregrip & Flashlight mount



- ⊕ The Grip Transforms From Vertical To Horizontal By The Push Of A Button, And Allows You To Choose Your Natural "Fighting Stance"
- ⊕ Designed To Hold Any 1 Diameter Flashlight And To Allow Quick And Easy Operation
- ⊕ Easy To Fit On A Firearm. Secured To An Accessory Rail By 2 Bolts
- ⊕ Flashlight Secured In The Mount By A Quick Release Locking System That Allows Quick Mounting Or Removal Of The Flashlight, A Real Advantage For Rechargeable Flashlight
- ⊕ Two Holes On The Sides Allow Ambidextrous Operation Of Flashlights With Side Switches
- ⊕ Fits Handguards Equipped With A Weaver Or Picatinny Rail System
- ⊕ No Gunsmithing Is Required
- ⊕ Molded From Reinforced Polymer Composite
- ⊕ Super Lightweight



### MIKI 1" / 1 1/8" Potato Shaped Foregrip & Flashlight mount



- ⊕ Two-in-one: special handgrip and a flashlight mount
- ⊕ The most ergonomically designed grip ever, featuring the most comfortable and natural to use "fighting stance"
- ⊕ This unique item permits several gripping positions, such as forearm, fore grip and many others most important is the way it fits perfectly in your hand
- ⊕ Designed to hold any 1" or 1 1/8" diameter flashlight and to allow quick and easy operation
- ⊕ Easy to fit on a firearm. Secured to an accessory rail by 1 bolts
- ⊕ Flashlight secured in the mount by a quick release locking system that allows quick mounting or removal of the flashlight, a real advantage for rechargeable flashlights
- ⊕ Fits handguards equipped with a Weaver or Picatinny rail system
- ⊕ No gunsmithing is required
- ⊕ Molded from reinforced polymer composite
- ⊕ Super lightweight



### KAPI-2 MicroGalil Handguard with Flashlight adaptor



- ⊕ Cutting-edge Ergonomic Design
- ⊕ Durable, Lightweight, Hard-wearing
- ⊕ Quick, Easy Bolt-in Installation. No Gunsmithing Required
- ⊕ Fits 1-1/8" Diameter Tactical Flash Light (I.E.- Stinger)



### SPEEDLIGHT Compact Tactical Led Light

- ⊕ Over All Length - 3.1 Inch
- ⊕ Powered By Single Cr123 Battery



Extreme Light power



### SPEEDLIGHT-6V Compact Tactical Led Light

- ⊕ 1 Inch Diameter
- ⊕ Rugged Aerospace-grade Aluminum Body Mil-spec, Type Iii Hard Anodized
- ⊕ Hard Anodized – Mil Spec
- ⊕ O-ring Sealed, Weather Proof
- ⊕ 100 - 120 Lumen Led Output
- ⊕ Momentary / Constant Tail Cup Switch Or Ptt
- ⊕ Provides Approximately One And A Half Hours Constant On Runtime

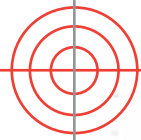
Also Available with an IR Bulb



### SPEEDLIGHT / "MAGNA" Magnetized Flashlight

- ⊕ All the advantages of our famous speed light with a magnetic base connector
- ⊕ Small but powerful magnetic base will allow attaching our small but powerful speed light on any metallic object
- ⊕ Ball joint connector will allow rotating the flash light to any angle





# BUTTSTOCKS



## GLR-16

### Collapsible Butt Stock for M16 / M4 / AR15

- ✦ Durable, Hardwearing Construction
- ✦ Fits All Collapsible Buffers
- ✦ Front & Rear Sling Grooves
- ✦ Watertight Battery Compartment
- ✦ Rubber Butt Pad
- ✦ Retains Contour & Size Of Original Design
- ✦ Available In Different Camouflage Colors



## SSR-25

### Sniper Stock For M16/SR25

- ✦ Adjustable Cheek Piece Optimizes Sniper's Eye Position
- ✦ Built-in, 2-Stage, 7.5" Long, Retractable Monopod ("Third Leg"):
- ✦ Quick-opening, Precision
- ✦ "Height Adjustment" Mechanism Helps Keep Sniper's Rifle Steady For Extended Periods
- ✦ Mil Spec Epdm Rubber Recoil Pad
- ✦ State-of-the-art Ergonomic Design Optimizes Sniper's Posture, Stability & Aim
- ✦ Durable, Hardwearing, Lightweight Construction
- ✦ Quick & Easy Installation Using 2 Bolts Only: No Modifications Or Gunsmithing Required
- ✦ All Adjustable Features Are Readily Accessible & Respond Promptly, So That Any Necessary Adjustment Can Be Accomplished In Seconds
- ✦ Enables Shooter To Switch Between Goggles, Standard Sights Or Night Vision Goggles In Seconds



## GLR-17

### Glock 17 Tactical Stock



## GLR-440

### Glock 19 Tactical Stock



- ✦ Enhances Accuracy At Longer Ranges
- ✦ Unique Sling Feature
- ✦ Quick-release For Easy Attachment And Removal
- ✦ Extendible To Various Lengths For Different Tactical Applications Concealed Carry
- ✦ Reinforced Polymer Composite Construction Favored By Undercover Law Enforcement & Security Personnel
- ✦ Durable, Lightweight & Easy To Carry
- ✦ Compatible With Fab Camera Adaptor: Enables Steady Aiming Of Camera For Long-range Photography

## TSA

### Tactical Sling Adaptor

- ✦ The Fab Defense Phosphate Finished Steel Sling Adapter Plate -For Use With Any Ar15 - M16 - M4 With A Collapsible Butt Stock.
- ✦ Replace Your Standard Issue Receiver End Plate To Enable Rear Receiver Sling Attachment Points.
- ✦ Provides Two Rear Receiver Sling Loops Enabling Attachment Of A Tactical Sling In Either Left Or Right Hand Configuration.
- ✦ Easy Installation - Simply Remove And Re-install Your Existing Collapsible Stock And Buffer Tube After Replacing Base Plate.
- ✦ No Gunsmithing Required  
-\*Installation Requires A Spanner Wrench







# BUTTSTOCKS

AK47	Collapsible	Collapsible + Shock Absorber	UAS Style
Polymer	RBT-K47	SBT-K47	UAS-AKP
Metal	M4AK	M4AK-SB	UAS-AK

VZ-58	Collapsible	Collapsible + Shock Absorber	UAS Style
Polymer	—	SBT-Z58	UAS-VZP
Metal	M4VZ	M4VZ-SB	UAS-VZ

All Metal Stocks Are Side-folding

## RBT-K47

### Reinforced Polymer Ak47 Buffer Tube

- Reinforced Polymer Ak47 Buffer Tube, Converts Your Ak47/74 Oem Stock To M16/M4 Collapsible Stock.

## SBT-K47

### Recoil Reducing Ak47 Buffer Tube

- Recoil Reducing Ak47 Buffer Tube, Converts Your Ak47/74 Oem Stock To M16/M4 Collapsible Stock.
- Fits Ak47 Stamped Receivers

## SBT-V58

### Recoil Reducing Vz. 58 Buffer Tube

- Recoil Reducing VZ58 Buffer Tube, Converts Your Vz 58 Oem Stock To M16/M4 Collapsible Stock.
- Fits Vz 58

- No Gun Smiting Required
- Construct From Reinforced Polymer
- Light Weight
- Bolt On Design For Easy Fit, Self Adjustable To Any Stamped Receiver, No Drilling Or Carving Required
- Buffer End Expends Inside The Receiver When Bolts Are Secure And Eliminates Any Lose And Rattling
- Super Rugged Design
- 8 Positions Holes For Best Fit Of The Stock To Your Battle Stanch
- Recoil Reducing Buffer, Will Improve Accuracy And "Targets In Sights" Under Rapid Fire Rates



Cutway View



## UAS-AKP

### AK-47 UAS Tactical stock



## UAS-VZP

### VZ-58 UAS Tactical stock

- Tough and robust design
- Slim and low profile
- Rubber butt plate for reducing recoil and slipping
- Imbedded adjustable cheek piece design
- Will allow clearance for trigger in folded position
- Push button to release locking when open
- Spring lock on folded position, pull to open and lock from folded position
- Can be mounted to fold left side or right side



## M4-AK

### M4 Butt Stock for AK 47

- Converts Your Ak Oem Stock To M16/M4 Collapsible And Side Folding Stock.
- Stock Manufactured To Fit Ak Stamped Receiver,

## M4-VZ

### M4 Butt Stock for VZ 58

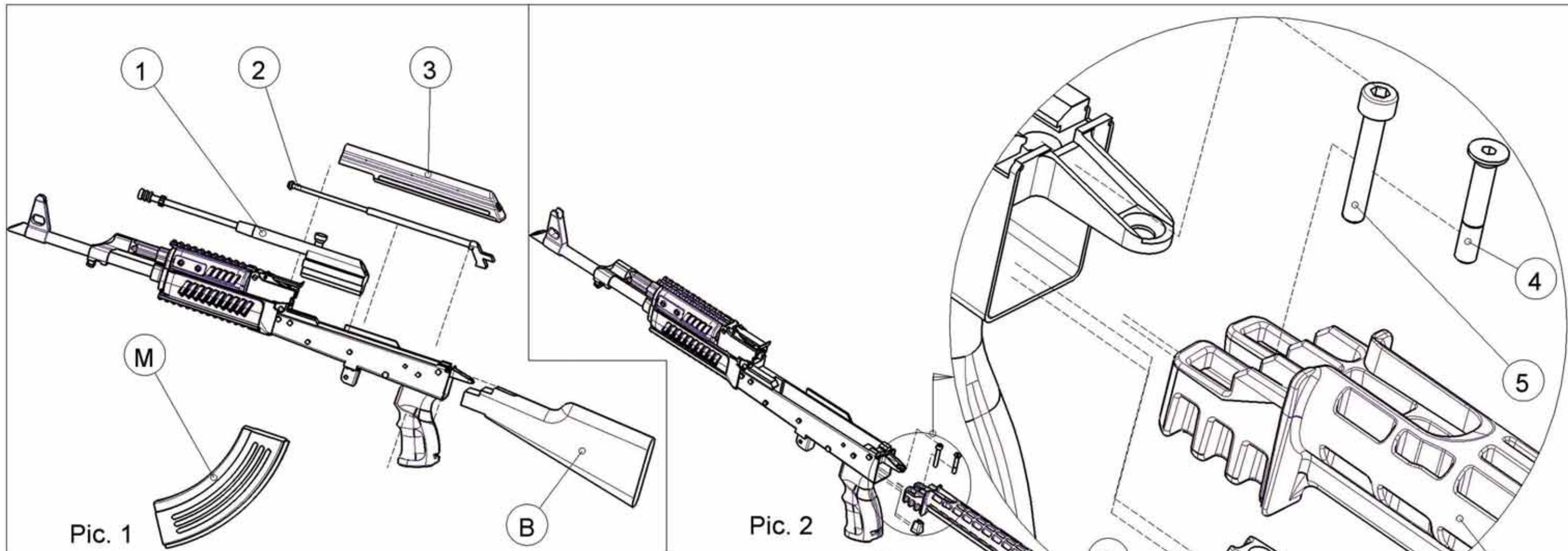
- Converts Your Vz 58 Oem Stock To M16/M4 Collapsible And Side Folding Stock.
- Stock Manufactured To Fit Vz 58

- Hardened Steel Mill Spec Original Galil Folding Mechanism That Would Last The Most Brutal Abuse
- After Market Sized 6061 Hard Anodized Aluminum Buffer Tube To Fit Any M4 Stock With A Sealed Compartment
- Quick Stock Deployment
- Folds To The Right Side
- Ideal For Use In Confined Spaces Duo To It Size When Folded, And Close-quarter Confrontations Duo To
- Massive Strength And Ability To Use Gun As A Baton

**The Toughest Folding Stocks Ever !!!**

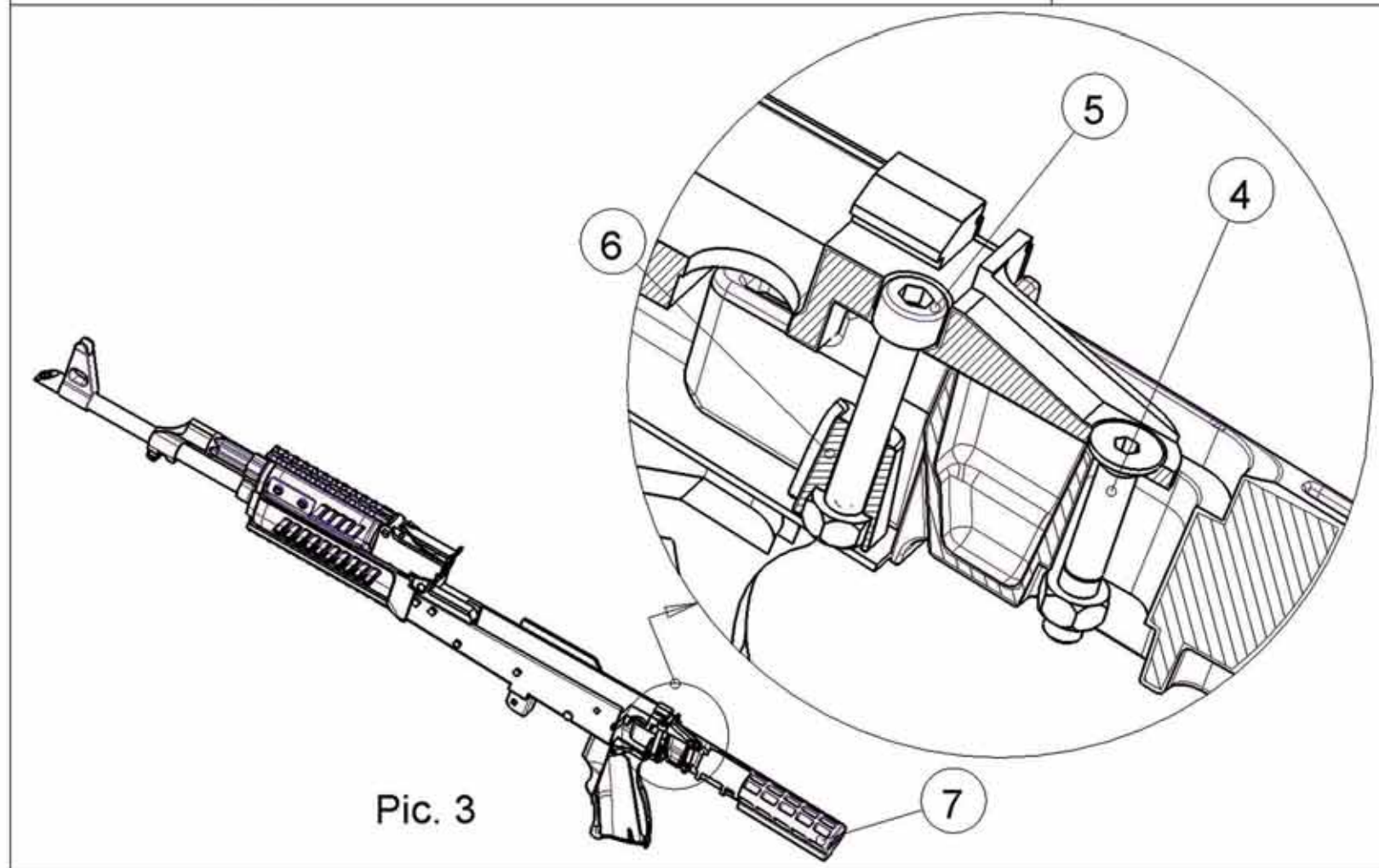
BUTTSTOCKS

BUTTSTOCKS

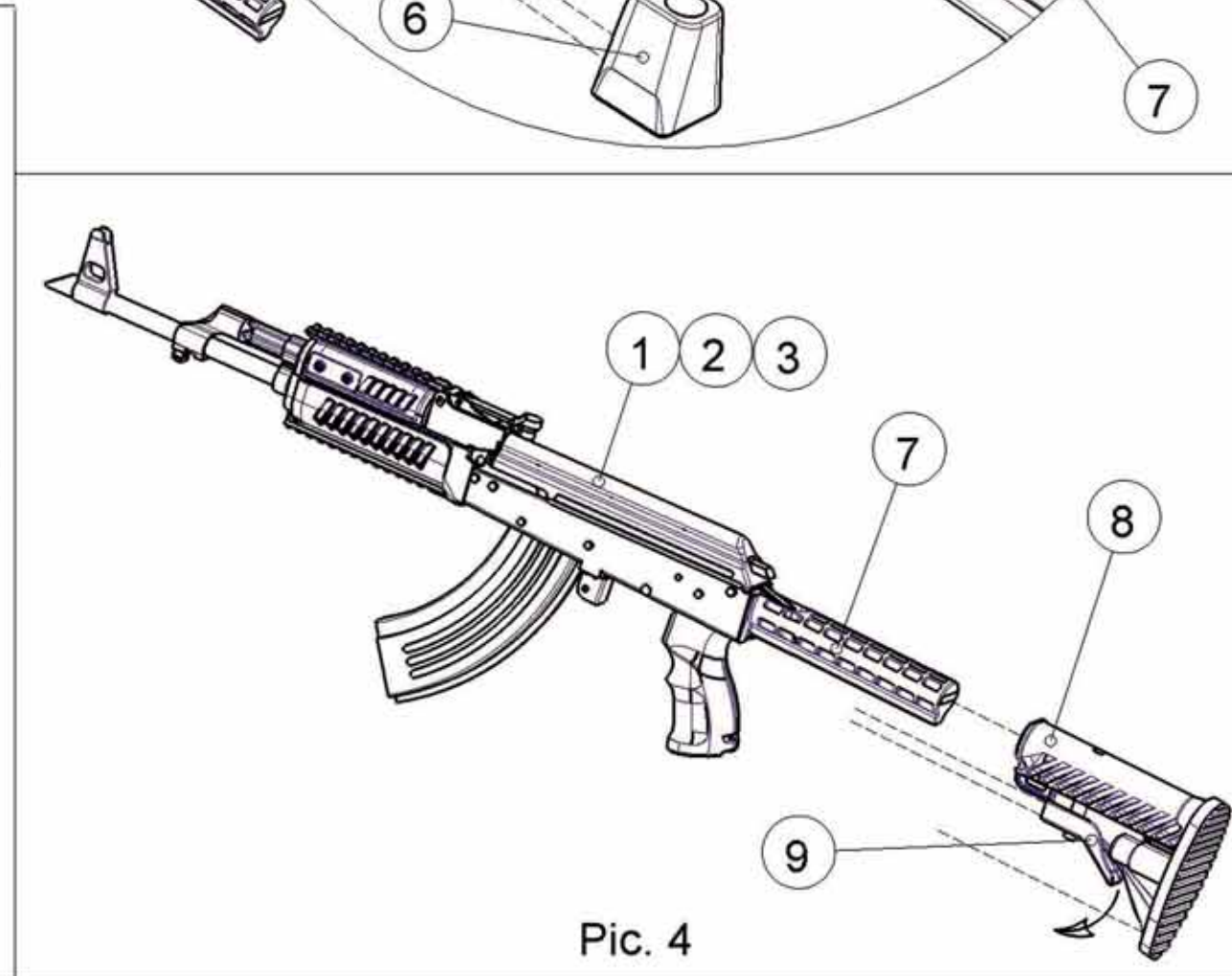


Pic. 1

Pic. 2



Pic. 3



Pic. 4



# MAGAZINE ACCESSORIES

## MCE

### Polymer And Strips 5.56 Magazine Couplers

- ✦ Durable & Lightweight
- ✦ Resistant To Extreme Operational Conditions
- ✦ Fits All 5.56 mm And All Ak Variant Magazines
- ✦ Easy To Install
- ✦ Improves Convenience & Tactical Efficiency
- ✦ Minimalist Design: Does Not Interfere With Quick Drawing Of Magazines (All Mechanical Parts Are Located Between The Magazines)
- ✦ Available In Different Camouflage Colors



## MG-20

### Foregrip/Spare Magazine Holder

- ✦ Unique 2-In-1 Tactical Device Serves As Both Foregrip And Spare Magazine Holder
- ✦ Enhances Tactical Efficiency By Accommodating An Additional Magazine On The Gun And Facilitating Fast Magazine Changes
- ✦ Fits All Standard Picatinny Rails
- ✦ Quick-release Attachment Allows For Easy Mounting Or Removal
- ✦ Secure Bolt Locking System Gives Option Of "Permanent" Mounting
- ✦ Durable, Hardwearing & Lightweight Polymer Construction
- ✦ State-of-the-art Ergonomic Design & Easy Installation
- ✦ Available In Different Camouflage Colors: Black, Desert Tan, Olive Drab Green, Alpine White; And In Training Colors: Red And Blue



## TZ-2

### Polymer Magazine Coupler

- ✦ Magazine coupler for M16/M4/AR15, AK-47, Galil, H&K (33,53,91), Ruger Mini M14, and Sig (542,543)



## MH-5.56

### 16/M4/AR15 Magazine Carrier

- ✦ Enables A Carry Of A Magazine And Ammo Outside And Parallel To The Gun
- ✦ Magazine Is Held Parallel To The Gun And Enables A Quick Operation For Loading
- ✦ No Need To Carry Your Magazine In Your Pockets
- ✦ A Secure Way To Carry A Gun And A Magazine Together But Not Loaded
- ✦ Strong And Durable Lightweight Reinforced Polymer
- ✦ Fits Into The Magazine Hole And Keeps It Clean And Safe



## TZ-5

### 9mm/MP5 Magazine Cople

- ✦ Magazine Coupler Fits All Mp5 And 9Mm Magazines



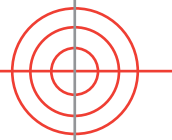
- ✦ Durable And Light-weight Polymer Construction
- ✦ Resistant To Extreme Operational Conditions
- ✦ Easy To Install
- ✦ Improves Operational Efficiency

## MTH

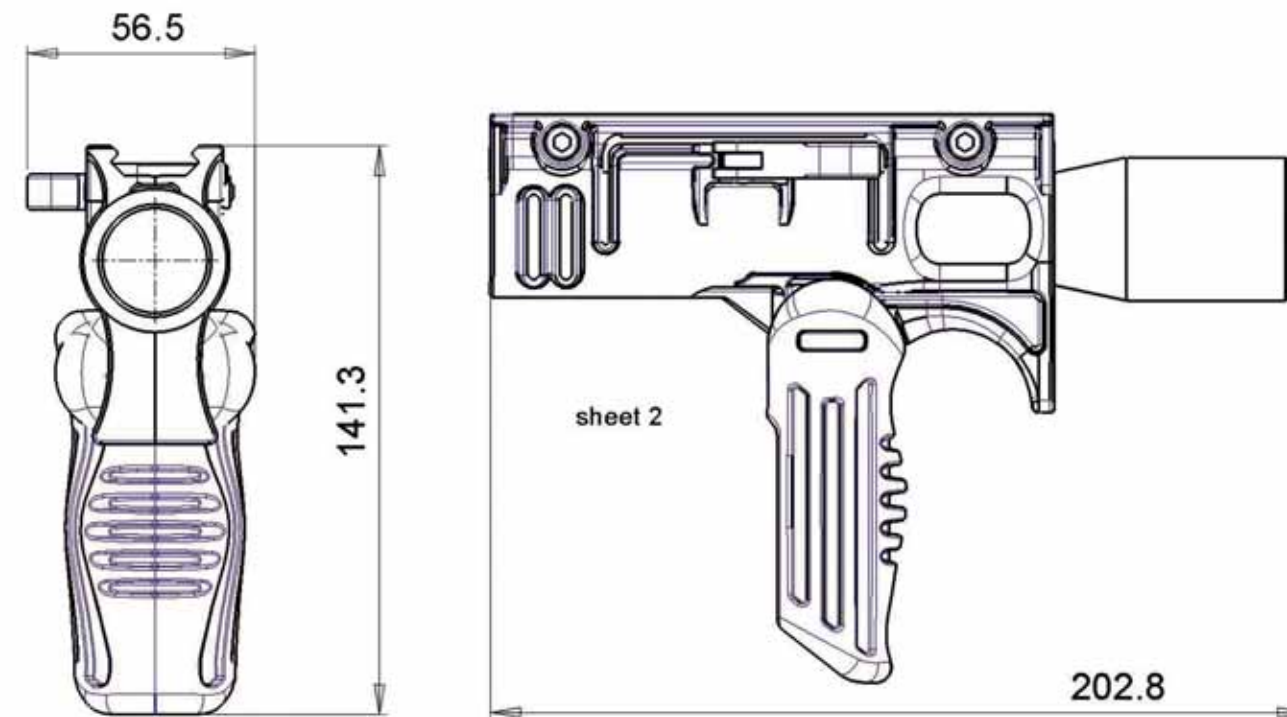
### Horizontal Magazine Carrier

- ✦ This New And Innovative Design Enables The Carry Of A Loaded Magazine On Your Rifle Where You Need It For The Fastest Possible Transition Of The Loaded Magazine To The Firearm.
- ✦ Don'T Be Caught Reaching For Your Vest Pouch Or Pockets! Lock And Load Fast And Effectively - Simply Rotate The Magazine 90 Degrees, Chamber A Round And You Are Ready To Engage.
- ✦ A Secure Way To Carry A Gun And A Magazine Together But Not Loaded.
- ✦ Allows For Visual Identification Of The Condition (Loaded Or Unloaded) Of The Firearm.
- ✦ Constructed Of Strong And Durable Lightweight Reinforced Polymer.
- ✦ Snug Fitting Rattle Free Design. Fits Into The Magazine Well Keeping It Safe From Obstruction And Debris.

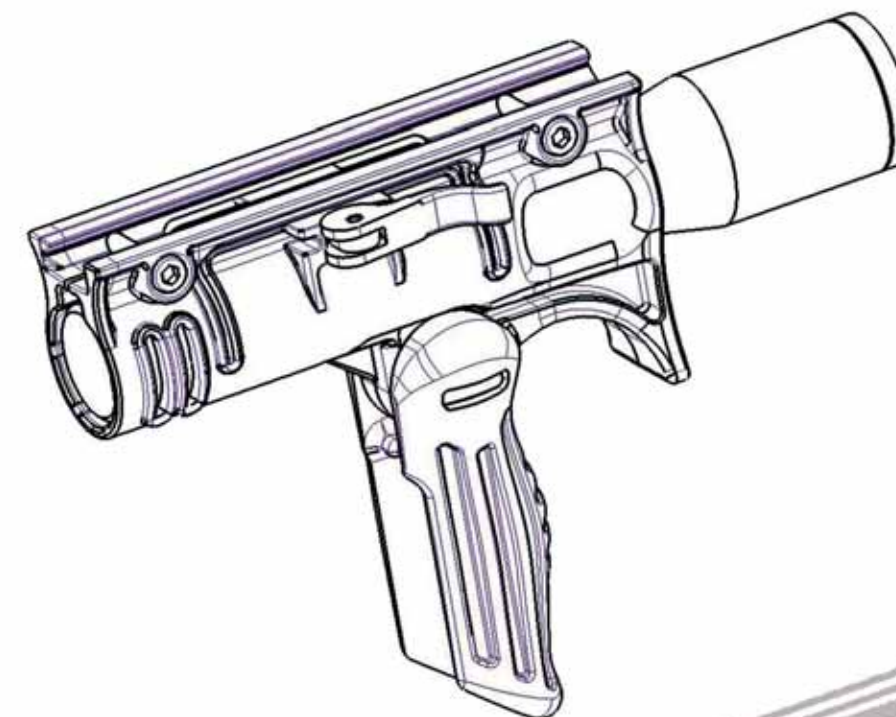




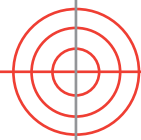
**GMF-G**  
**Glock Magazine Frame Picatinny Attachment**



**GMF-9**  
**9mm Magazine Attachment**



- ◆ Mounts Spare Magazine To Pistol's Underside Front Accessory Rail Where It Serves Both As Comfortable Fore-grip And As Spare Magazine
- ◆ Allows For Rapid Magazine Change
- ◆ Quick-release Mounting Device Attaches To Spare Magazine Butt Plate
- ◆ Easy To Fit & Operate
- ◆ Durable, Lightweight Polymer Construction
- ◆ Magazine & Pistol Not Included



# SPECIAL ITEMS

## FCP

### Pressure Point Restraining Tool

- ✦ Made From Reinforced Composite Polymer
- ✦ Pocket Sized Tool Enables Quick And Powerful Pressure Point Restraining And Disarming Techniques
- ✦ Easily Pocket Carry - Compact And Low Profile Signature
- ✦ Ergonomic Feel And Finger Placement For Maximum Grip Strength
- ✦ Index Finger Loop For Added Retention Ability And Physical Protection - Doubles As Wrench
- ✦ Not To Be Used As A "Knuckle Duster" Or A Punching Device



## SL-1

### Rifle Sling

- ✦ Dmay Be Attached To A Single Sling Swivel Or To Two Swivels
- ✦ Suitable For Commando-style Carrying / Slinging / Gripping
- ✦ Enables Effective Operation Of The Rifle
- ✦ Provides A Comfortable, Steady Firing Grip



## SL-2

### 3 Points / 1 Point Tactical Weapon Sling

- ✦ 3 point sling that transfers to 1 point sling
- ✦ This design allows the advantage of the two systems
- ✦ The sling transforms from the 3 point sling configuration that is ideal for comfortable gun carry to an extreme tactical 1 point sling for operating in tight areas or extreme maneuverability of the weapon is needed like easy reaching your back up holstered pistol
- ✦ The transfer is done with a Quick detach connection point In 3 point sling the advantage
- ✦ Allows the weight of the weapon to aid in keeping the configuration set to the operator's preference
- ✦ Allows slinging the weapon in front of the torso, and keeps the weapon up tight"
- ✦ Release your hands for defensive tactics. The weapon can quickly be thrown behind the back, keeping the weapon the way to engage an unarmed combatant
- ✦ 3 point sling advantage
- ✦ Ideal for tight quarters combat
- ✦ Allows easy movement of gun when operating inside tight spaces
- ✦ Allows reaching the back up holstered pistol quickly
- ✦ Allows using the weapon as a cold weapon in face to face combatant



## LO

### Letter Opener

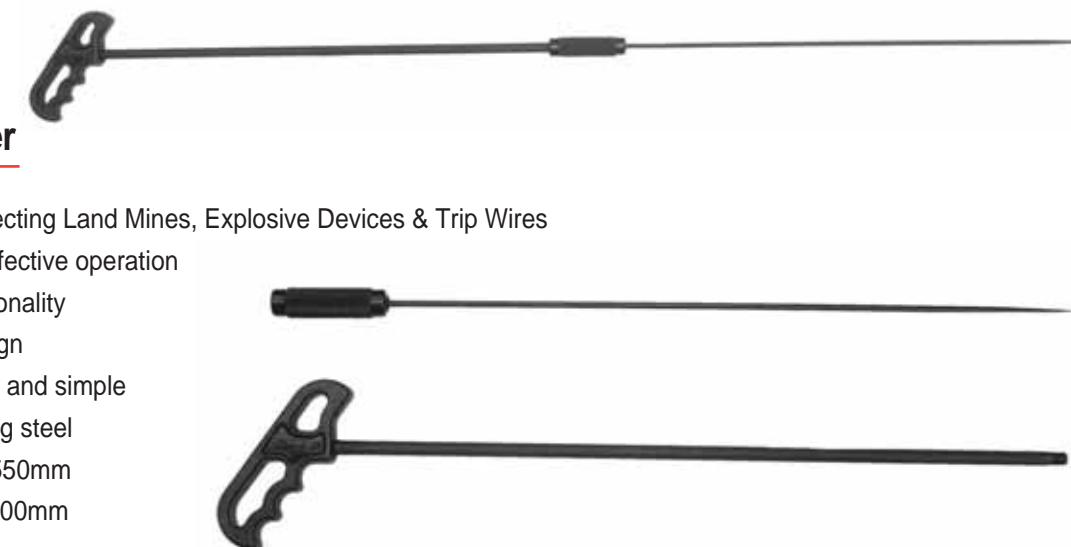
- ✦ Made Of High-tech Composite Materials With 60% Glass Fibers
- ✦ Completely Non-metallic Eod Knife
- ✦ Provides Superior Plunging Power As Well As A Hard Edge
- ✦ Scalloped Serrated Edge On Both Sides
- ✦ Gives Additional Opening Power On Fibrous Materials
- ✦ Handle Is Comfortable To Hold And Has A Thumb Depression For A Secure Grip
- ✦ Hole In The Handle For Attachment Of A Lanyard
- ✦ Completely Non-metallic And Non-absorbent, Making This A Perfect Item For Eod Personn



## DEKER

### EOD Prodder

- ✦ Prodder for Detecting Land Mines, Explosive Devices & Trip Wires
- ✦ Convenient & effective operation
- ✦ Maximum functionality
- ✦ Israel army design
- ✦ Extremely tough and simple
- ✦ Made from spring steel
- ✦ Length closed: 550mm
- ✦ Length open: 1000mm
- ✦ Weight: 875g

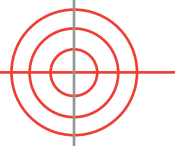


## G-CLAMP

### Multiple Purpose Polymer Pliers for Forensics /EOD /Hazmat

- ✦ Keeps your hand away from danger, while allowing lifting, moving or manipulating an object.
- ✦ Made from composite material
- ✦ Non magnetic
- ✦ Heat isolating
- ✦ Chemical resistance
- ✦ Heat resistance up to 150C/302F constant and 250C/482F short duration
- ✦ Lift up to 10 kilo/22lbs
- ✦ Ergonomic design





## UTA

### Universal Tactical Attachment For Glock 19

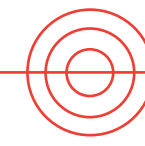
- ✦ Mounts A Glock 19 Pistol Underneath Any Long Firearm (Assault Rifle, Shotgun Or Smg) For A Unified, Tactically-enhanced, Dual Weapon System
- ✦ Glock Pistol Doubles As Backup Weapon And Forward Grip
- ✦ Suitable For Left-handed Or Right-handed Shooters
- ✦ Attaches To A Standard Picatinny Rail
- ✦ Requires Only Minor Modification To The Pistol: Glock Charging Handle Mount Replaces Glock Slide Cover Plate. Charging Handle Allows Handgun To Be Charged While Mounted Underneath Long Gun.
- ✦ Cutting Edge Ergonomic Design
- ✦ Durable&Lightweight
- ✦ Quick Connecting User Installed
- ✦ Ensures Your Backup Weapon Is Kept Readily Available At All Times



## WB

### Window Braker

- ✦ Device Mounts On Accessory Rail Of Handgun
- ✦ Glass Breaker Is Triggered By Pressing Weapon Against The Window, Thereby Allowing An Officer To Break A Car (Or Other) Window Without Taking His Gun Sights Off Of The Suspect
- ✦ Quick Release Mechanism Fits Picatinny Or Weaver Rails
- ✦ Life-saving, Quick And Clean Glass-breaking
- ✦ Device Equipped With A Lower Rail, Allowing For The Mounting Of Additional Tactical Devices
- ✦ Easy To Fit & Convenient To Operate
- ✦ Durable, Hardwearing & Lightweight Metal & Plastic Composite Construction
- ✦ Widely Used By Emergency Services, Law Enforcement Agencies And Swat Teams Worldwide



## PARTS & UPGRADES

## FCH

### Glock Cocking Handle

- ✦ Enables Single-handed Cocking Of Glock Handgun
- ✦ Useful When One Hand Is Injured
- ✦ Useful When Driving: Enables Driver To Cock Weapon While Keeping One Hand On The Wheel
- ✦ Almost Any Common Object Can Provide Counter Pressure For Charging A Glock With Cocking Handle: Belt, Pants Waist, Vest, Railing, Table, Chair
- ✦ Fits All Glock Pistols
- ✦ Cocking Handle Base Replaces Slide Cover Plate
- ✦ Quick Attachment & Removal Of Handle To/From Plate While Base Remains Mounted
- ✦ Switches Quickly To Adapt To Left-handed Or Right Handed Shooters
- ✦ Durable Steel Construction
- ✦ Ideal For Emergency Situations



## PEC

### Polymer Ejection Port

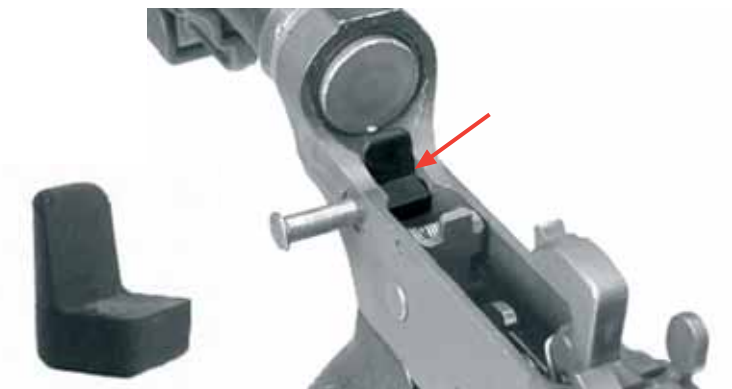
- ✦ Durable, Hardwearing & Lightweight Polymer Construction
- ✦ Will Never Rust, Corrode Or Fade
- ✦ Flexible - Will Never Deform
- ✦ Improves Ejection Port Locking
- ✦ Adjustable Opening Power - A Solution For Worn Ejection Ports

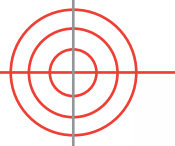


## UGC

### AR15 Receiver Gap Closure

- ✦ Eliminates The Original Gap Between The Upper And Lower Receiver
- ✦ Reduces Noise
- ✦ Improves Stability & Accuracy
- ✦ Cost Effective Solution
- ✦ Simple To Install





**RC**  
**Full Picatinny Rail Covers**

- ✦ Tough, Polymer Cover Slides Over Picatinny Rails.
- ✦ Protect Shooter's Hand From Sharp Edges Of Unused Rails And Heat Emitted By The Barrel.
- ✦ Shield Exposed Rails From Damage.
- ✦ Makes Rail Less Likely To Snag Clothing And Equipment.
- ✦ Gives The Rounded Contour Of A Smooth, Circular Hand Guard.
- ✦ Helps Shooter Maintain Better Weapon Control.
- ✦ Pre-segmented Construction For Ease In Cutting To Length To Custom Fit.
- ✦ Multiple Sections Can Be Mounted One After The Other For Smooth, Visually Continuous Cover On Longer Handguards.



**MG-CP**  
**Micro Galil Cheek Piece**

- ✦ Cheek Piece Optimizes Eye Position & Eye-to-goggle Contact
- ✦ Durable & Lightweight Polymer Construction
- ✦ Easy To Fit & Operate
- ✦ Available In Different Camouflage Colors



**TD-2**  
**Barrel mounted - Tire Deflators Dagger**

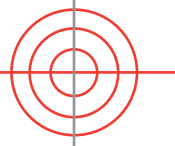
- ✦ Quick installed on the flash hider
- ✦ Made from hardened special steel
- ✦ No gun smithing required
- ✦ Deflates tire in seconds
- ✦ Do not disturb shooting



**FD-203**  
**M203 Standalone Conversion kit**

- ✦ Convert The M203 To An Independent Weapon System
- ✦ Super Light Weight Design
- ✦ Folding Stock For Minimum Size
- ✦ Mill Std Piccatiny Rail Above The Barrel To Allow Modern Sights
- ✦ Simple Installation , No Modification Is Needed





## SLA Front Sling Adaptor

- Attaches Your Front Part Of The Sling To Your Picatinny Rail
- Accept All Sling Up To 1" (25Mm)
- 6061 Aircraft Grade Aluminum, Cnc Machined
- Mounts To Any Picatinny
- Type 11 Class 3 Hard Black Anodized
- Ultra Light Weight
- Easy To Install With One Locking Bolt
- Lifetime Warranty



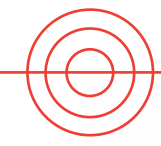
## HBA-3 Harris Bipod Adaptor

- The HBA creates the most secure mounting-platform available on the
- Eliminates bipod instability and uncertainty
- Mounts on the weapon's underside Picatinny or Weaver accessory rail
- Durable, lightweight polymer construction



## SVDM Dragunov SVD Picatinny Rail

- New Design, Side Locking System, Requires No Tools For Adjustment
- Allows Mounting on the Left Side of the Guns Body
- Milled From 6061 Aluminum Billet
- All Matte Black Hard Coated Anodize
- Toughest Mount Available On the Market, Will Easily Hold Heavy Night Vision Scopes
- Compatible with Any Mill-Spec Picatinny Based Scope
- Easy Installation to Enhance Your Dragunov SVD with a Scope



## SAFETY PRODUCTS



### SAFETY RODS Polymer Safety Rod

- The Perfect Solution For Safe Firearms Training & Storage
- Securely Blocks Both Barrel And Chamber To Prevent A Live Round From Being Inadvertently Chambered
- Bright Colors For Enhanced Visibility
- Ideal For Weapon Safety & Accident Prevention
- Ak-rod 47 Fits The Ak-47
- Ak-rod 16 Fits The M16/M4/Ar15
- Mp-rod 9 Fits The Mp-5 Or Any 9Mm Pistol



### BUC Bullet Catcher

- Designed Especially For Use In Tactical Training
- Easy To Assemble
- Improves Gas Retraction When Blanks Are Used
- Positively Prevents Accidental Firing Of Live Rounds
- Bullet Catcher Physically Blocks (Absorbs) Up To 3 Accidentally Fired Bullets
- Improves Safety, Saves Lives



Cutway View After Receiving Three Bullets





# TARGET SYSTEMS

## RTS-1

### Self Healing Reactive Target System

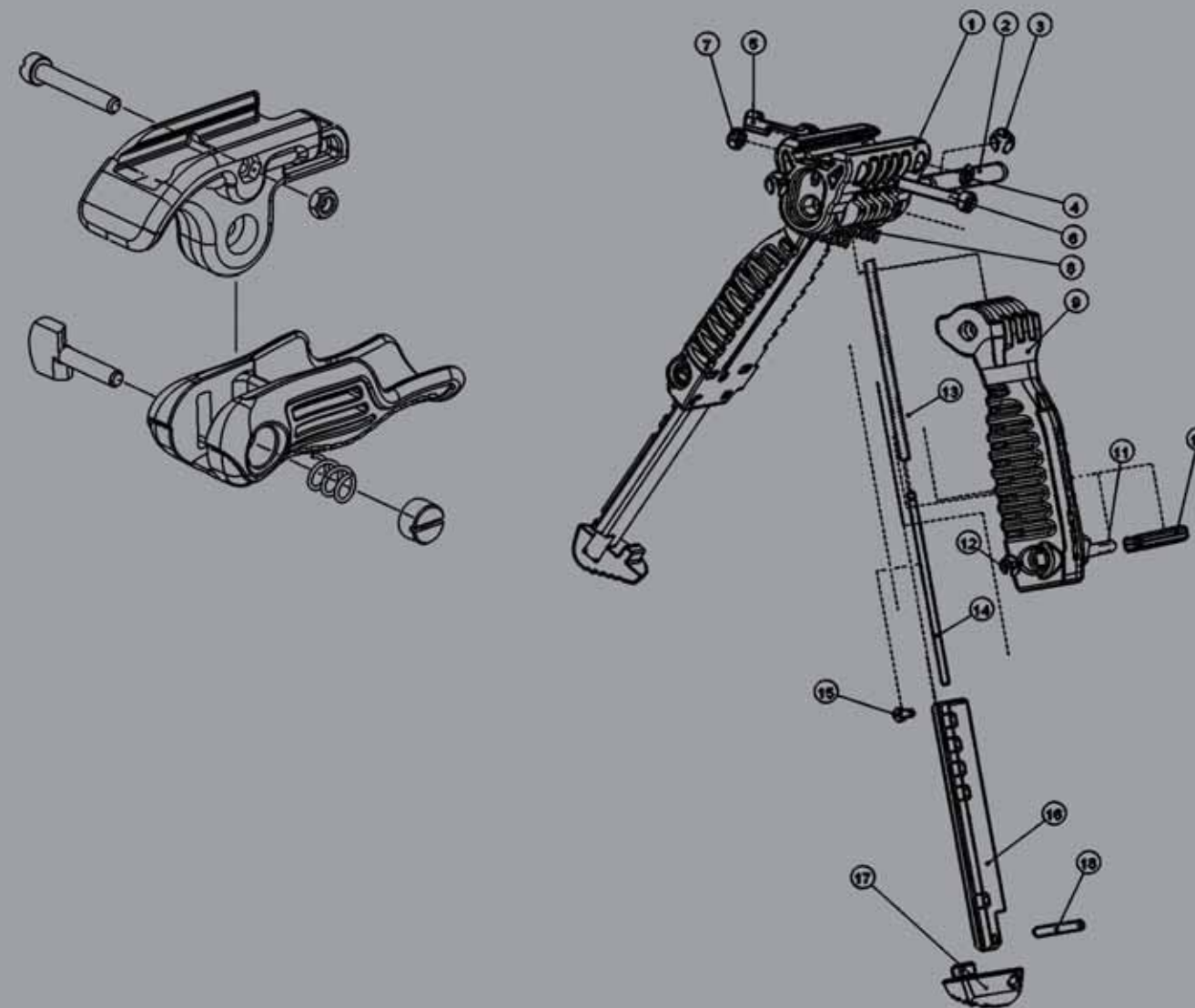
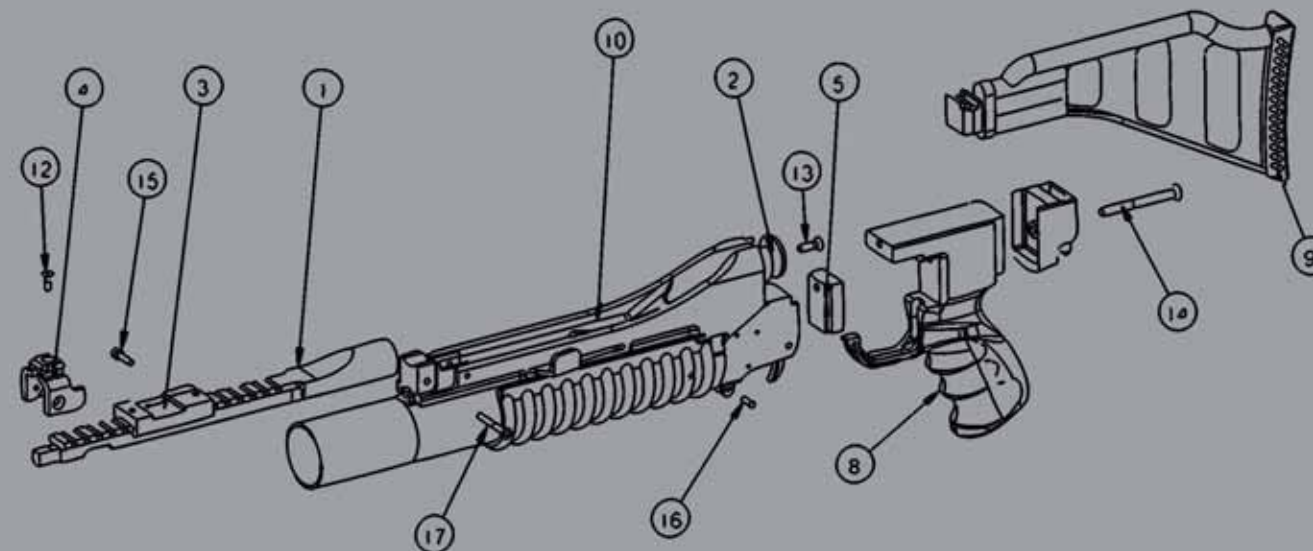
- ✧ The Rts "Self-healing" Reactive Target Drops When Hit With Any Type Of Handgun Or Smg Ammunition
- ✧ Sensitivity May Be Adjusted So That Target Will Drop With One Hit Or Only With A Rapid Succession Of Hits
- ✧ Thicker Targets Available For Assault Rifle Training (Military Grade Ammunition)
- ✧ Absolutely No Ricochets! Rts Targets Are Completely Safe-even At Point Blank Range!
- ✧ Target Service Life: At Least 2,000 Hits
- ✧ Rts Reactive Targets Are Sold As A Complete System. Replacement Parts Are Available Upon Request
- ✧ Used Targets Can Be Recycled For Partial Refund (Please Contact Your Dealer For Additional Information)



## RTS-NUMERATOR

### Advanced Portable Live Ammunition Training System

- ✧ Uses Short Circuit Targets To Count The Hits.
- ✧ Fully Portable And Lightweight.
- ✧ 6Aa Batteries Operated.
- ✧ Big Large Led Screen Enables The Shooter To View Target Hit In Real Time.
- ✧ Controls Up To 9 Targets Simultaneously.
- ✧ Unlimited Fire Rate Counting (Counts Full Auto From Any Gun).
- ✧ Totally Wireless Up To 250 Meters Between Targets To Numerator.
- ✧ Tested To Comply With Fcc Standard.



43 Yakov Olamy Street Moshav Mishmar Hashiva 50297 Israel  
Tel. 972-3-9603399 | Fax. 972-3-9603312

[www.fab-defense.com](http://www.fab-defense.com)

